

- 1
- 2
- 3
- 4
- 5
- 6
- 7
- 8
- 9
- 10
- 11
- 12
- 13
- 14
- 15
- 16
- 17
- 18

SPECIFICATION

Stainless Steel AISI 304

Packing ring

H-NBR **H**

temperature resistant -25 °C to +150 °C

EPDM **E**

temperature resistant -40 °C to +120 °C

- blue

- hardness 85±5 Shore A

- FDA compliant

FEATURES AND APPLICATIONS

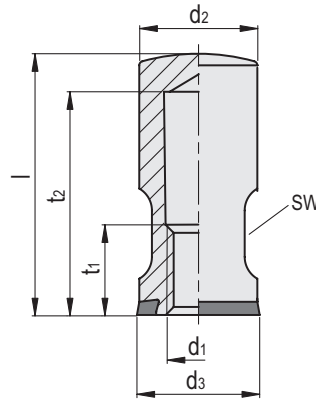
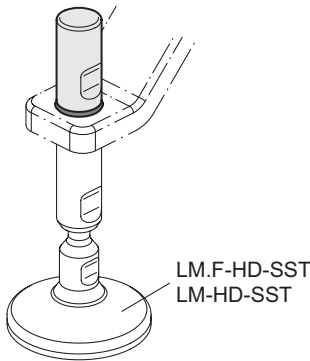
Stainless Steel-Cover sleeves GN 20.1 are intended for use in hygienic areas. **non tradotto**

non tradotto

See technical data Hygienic Design (see page -).



Application example



Conversion Table
1 mm = 0.039 inch

mm	inch
56	2.18
62	2.42
68	2.65
74	2.89

GN 20.1-H

Code	Description	d1	d2	d3	l	t1	t2	sw	⚖
GN.20052	GN 20.1-M12-56-H	M 12	25	25.8	56	15.5	50	19	159
GN.20057	GN 20.1-M16-62-H	M 16	28	28.8	62	20.5	55	22	200
GN.20062	GN 20.1-M20-68-H	M 20	32	32.8	68	25.5	60	27	272
GN.20067	GN 20.1-M24-74-H	M 24	36	36.8	74	30.5	65	30	352

GN 20.1-E

Code	Description	d1	d2	d3	l	t1	t2	sw	⚖
GN.20051	GN 20.1-M12-56-E	M 12	25	25.8	56	15.5	50	19	159
GN.20056	GN 20.1-M16-62-E	M 16	28	28.8	62	20.5	55	22	200
GN.20061	GN 20.1-M20-68-E	M 20	32	32.8	68	25.5	60	27	272
GN.20066	GN 20.1-M24-74-E	M 24	36	36.8	74	30.5	65	30	352